

# CLARKE®

## MECHANICS MOBILE SEAT

MODEL No. CMS1

Part No. 7630198



Thank you for purchasing this CLARKE Mobile Mechanics Seat.

To ensure the seat is assembled and used correctly, please read this leaflet and carefully follow all instructions. By doing so you can look forward to the seat giving you long and satisfactory service.

### Guarantee

This CLARKE product is guaranteed against faulty manufacture for a period of 12 months from the date of purchase. Please keep your receipt as proof of purchase. This guarantee is invalid if the product is found to have been abused or tampered with in any way, or not used for the purpose for which it was intended.

Faulty goods should be returned to their place of purchase, no product can be returned to us without prior permission. This guarantee does not effect your statutory rights.

## Unpacking and Assembly

Unpack and lay out all components, checking for any damage which may have occurred during transit, and ensuring that all parts are accounted for by checking against the parts list. Should there be any deficiency or damage, please contact your Clarke dealer immediately.

## Assembly Ref: Parts diagram

1. Place the tray (12) on to the base frame (9), then thread the castors (10) through the holes in the base and tray. Secure with the hex. socket head fitted nuts (7) and washers (8) provided, tightening them securely.
2. Attach the side supports (2) to the base, in the manner shown in the illustration on the front page, with the washer (6) adjacent to the dome nut (5). Tighten the dome nuts securely.
3. Attach the seat (1) to the side supports, using the four screws (4) with washers (3) provided.

Your seat is now ready for use.

## Do's and Dont' s

- Use your seat for any task where you would normally sit or kneel, PROVIDED ALWAYS that the floor surface is hard enough so that the castors do not sink in.
- DO NOT use the seat to transport heavy objects.
- NEVER use the seat as a stand.
- DO NOT leave the seat where it may be accidentally trodden on as this could have serious consequences, particularly in a workshop environment.
- If a castor should fail or become damaged in some way, have it replaced immediately. Should it be ignored, the additional struts placed on the other three castors could quickly cause them to fail also.



For Spare Parts and Service, please contact your nearest dealer, or CLARKE International, on one of the following numbers.

**PARTS & SERVICE TEL: 020 8988 7400**

**PARTS & SERVICE FAX: 020 8558 3622**

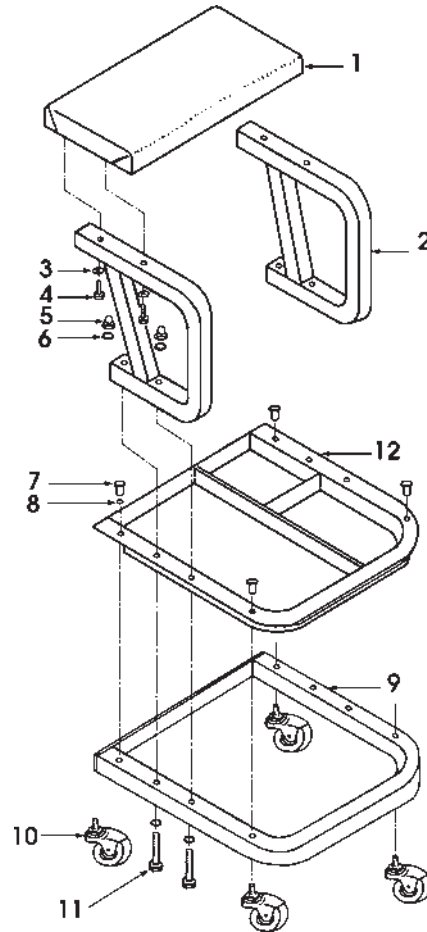
**or e-mail as follows:**

**PARTS: [Parts@clarkeinternational.com](mailto:Parts@clarkeinternational.com)**

**SERVICE: [Service@clarkeinternational.com](mailto:Service@clarkeinternational.com)**

## Parts List

| No. | Description  | Qty | Part No. |
|-----|--------------|-----|----------|
| 1.  | Seat Cushion | 1   | SNCMS101 |
| 2.  | Side Support | 2   | SNCMS102 |
| 3.  | Washer       | 4   | SNCMS103 |
| 4.  | Screw M6x40  | 4   | SNCMS104 |
| 5.  | Nut M8       | 4   | SNCMS105 |
| 6.  | Washer       | 8   | SNCMS106 |
| 7.  | Nut M8       | 4   | SNCMS107 |
| 8.  | Lockwasher   | 4   | SNCMS108 |
| 9.  | Base Frame   | 4   | SNCMS109 |
| 10. | 2½" Castor   | 4   | SNCMS110 |
| 11. | Bolt M8x0    | 4   | SNCMS111 |
| 12. | Tray         | 4   | SNCMS112 |



## Dimensions

