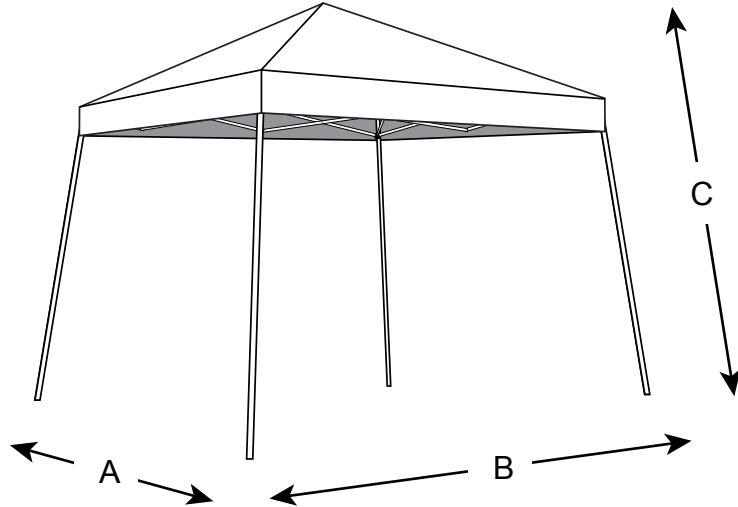


8' x 8' / 2,4 x 2,4 m

Slant Leg Pop-Up Canopy

Assembly Instructions



DESCRIPTION			MODEL N°
A	B	C	PUC 88
Pop-Up Canopy 2.4' x 2.4 x 2.5 M - Slant Leg - White			3503510
8' x 8' x 8'2"			

Please read instructions **COMPLETELY** before assembly. This shelter **MUST** be securely anchored.
Before you start: 2 or more individuals recommended for assembly, approximate time 15 min.

Clarke®

Clarke International
Hemnal Street
Epping
Essex CM16 4LG
ENGLAND
www.clarkeinternational.com

PARTS & SERVICE: 0208 988 7400
E-mail: Parts@clarkeinternational.com or
Service@clarkeinternational.com

SALES: UK 01992 565333 or
EXPORT: 00 44 (0)1992 565335



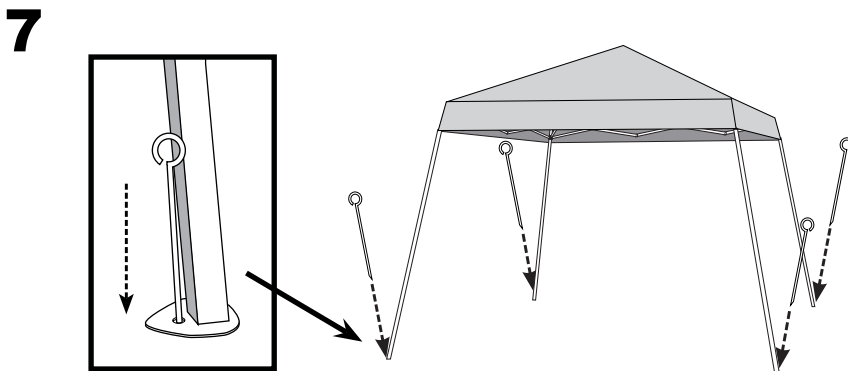
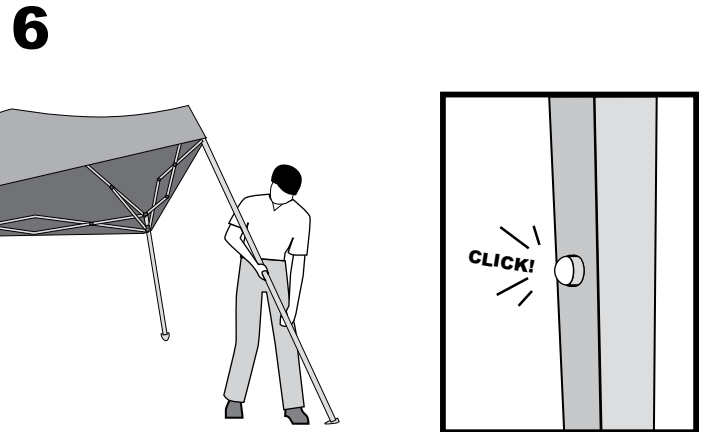
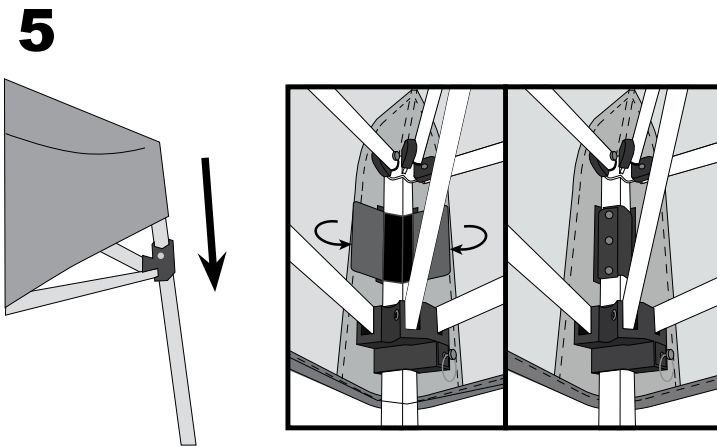
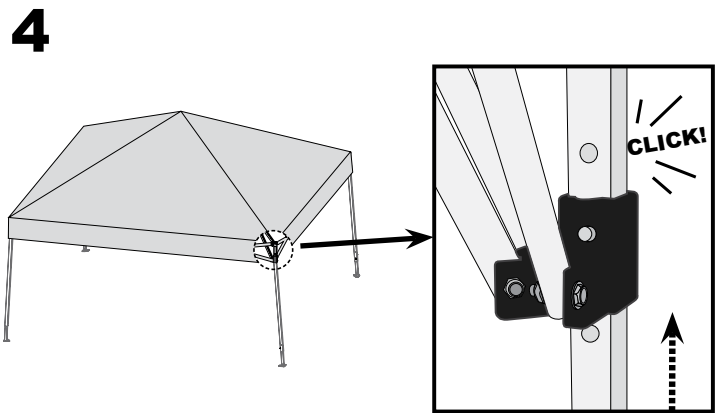
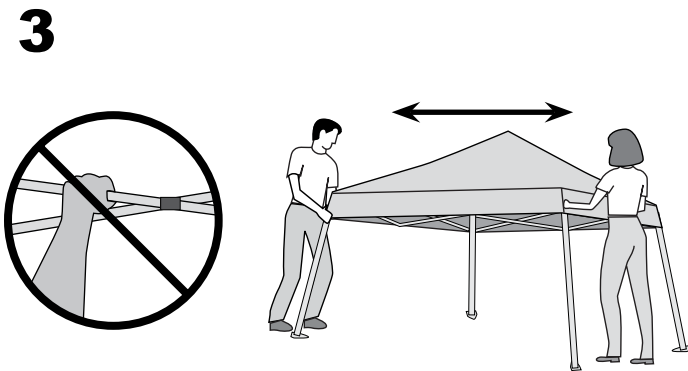
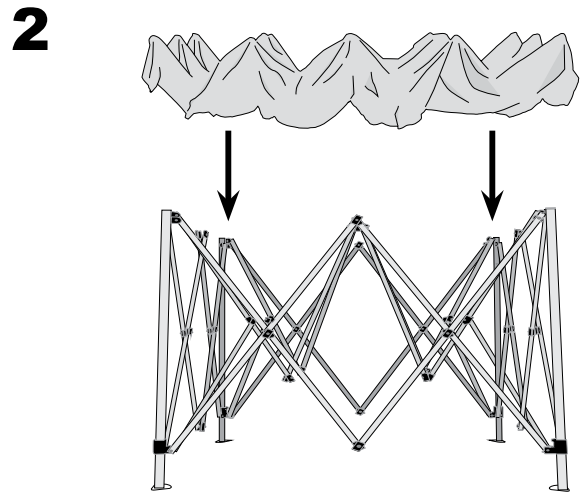
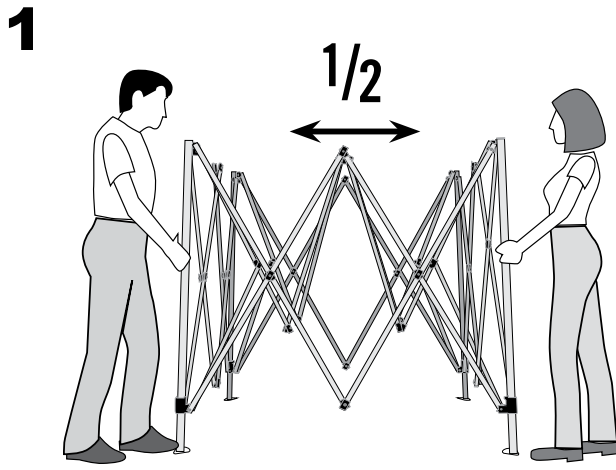
NOTE: Please read instructions COMPLETELY before assembly.

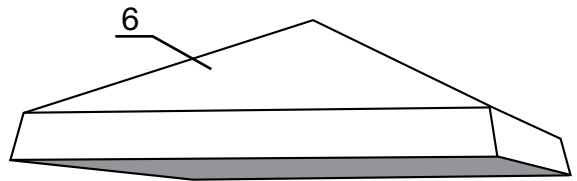
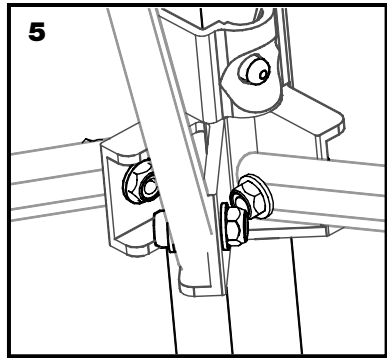
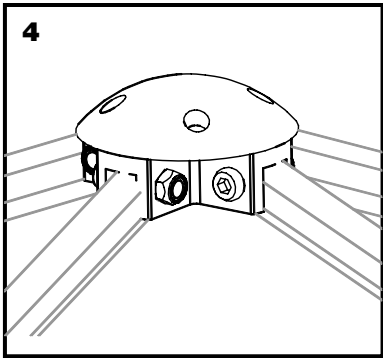
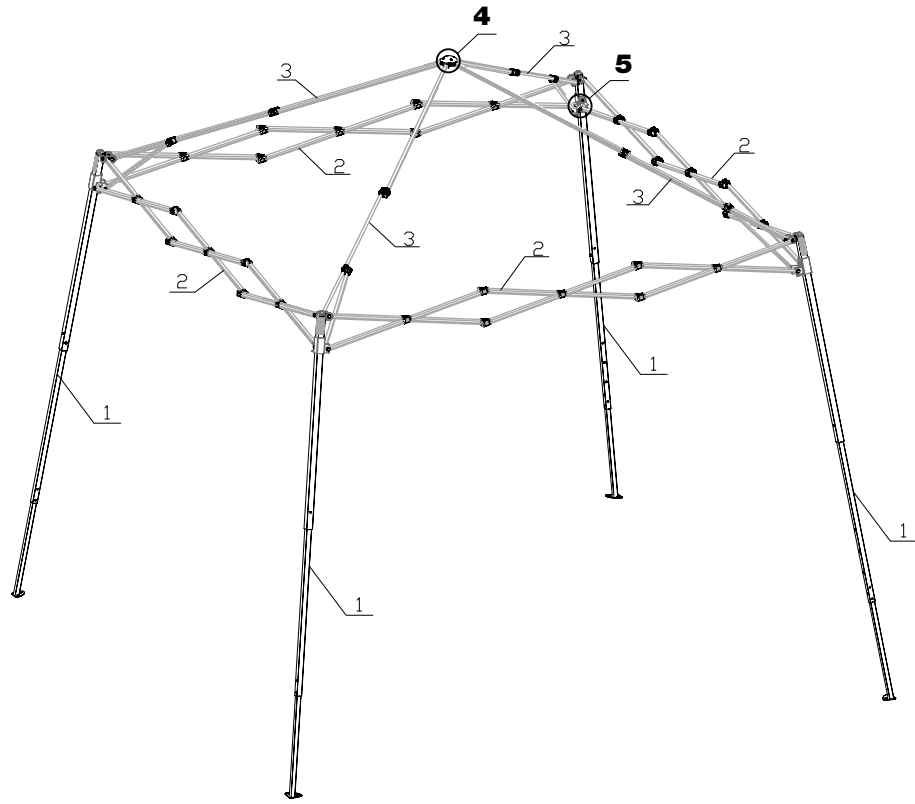
ATTENTION: This canopy product is primarily for seasonal shade. It is **NOT** snow, ice, or wind load rated. This canopy must be properly and securely anchored.

CAUTION: Use **CAUTION** when erecting the frame.

WARNING: Choose the location of your canopy carefully. Check for overhead utility lines, tree branches or other structures. **DO NOT** hang objects from the roof. **DO NOT** smoke or use open flame devices in or around the canopy. **DO NOT** store flammable liquids (gasoline, kerosene, propane, etc.) under your canopy. Do not expose top or legs of the canopy to open fire or other flame source. **DO NOT** use grills, fire pits, deep fryers or smokers under the canopy.

CARE AND CLEANING: A tight cover ensures longer life and performance. Always maintain a tight cover. Loose fabric can accelerate deterioration of cover fabric. Immediately remove any accumulated debris from the cover with a broom, mop or other soft-sided instrument. Use extreme caution when removing debris from cover. Always remove from outside the structure. **DO NOT** use hard-edged tools or instruments like rakes or shovels to remove debris. This could result in punctures to the cover. **DO NOT** use "Protect and Shine" products, bleach or harsh abrasive products to clean the fabric cover. Cover is easily cleaned with mild soap and water.





OTHER QUALITY LEISURE & GARDENING PRODUCTS AVAILABLE FROM

Clarke®



LOGBUSTERS

BANQUETING TABLES

BBQ's

PORTABLE GENERATORS

GARDEN TROLLEYS

BINOCULARS

LED HEADLIGHTS / FLASHLIGHTS

HOT & COLD POWER WASHERS

TARPAULINS • INSECT KILLERS

CAR COVERS

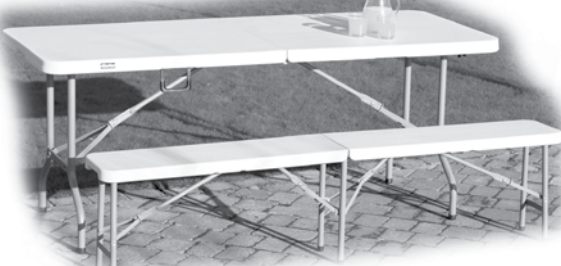
INVERTERS

JUMP STARTS

FOOT PUMPS • FANS

LADDERS

AND MUCH MORE!



PARTS & SERVICE: 0208 988 7400

E-mail: Parts@clarkeinternational.com or Service@clarkeinternational.com

SALES: UK 01992 565333 or EXPORT: 00 44 (0)1992 565335

Clarke® INTERNATIONAL Hemnall Street, Epping, Essex CM16 4LG
www.clarkeinternational.com